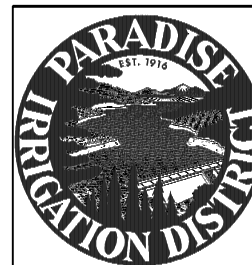
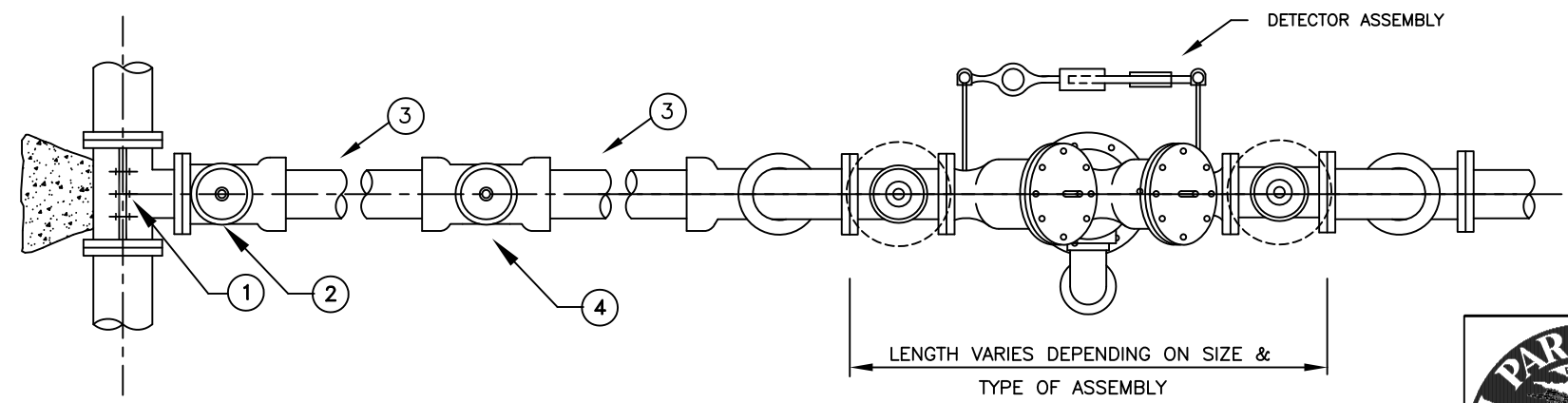


MATERIALS

- ① — TAPPING SLEEVE OR PUSH-ON X FLG. TEE
- ② — FLG. X FLG. TAPPING VALVE OR FLG. X PUSH-ON GATE VALVE
- ③ — C900 PVC PIPE OR DUCTILE IRON PIPE
- ④ — PUSH-ON GATE VALVE (OPTIONAL, SEE NOTES)
- ⑤ — 8-INCH CORRUGATED PLASTIC CAN STOCK
- ⑥ — CHRISTY G5 CONCRETE VALVE BOX W/CAST IRON LID
- ⑦ — FLG. X PUSH-ON DI 90° ELL
- ⑧ — FLG. X FLG. DI SPOOL
- ⑨ — FLG. X FLG. DI 90° ELL
- ⑩ — REDUCED PRESSURE PRINCIPAL DETECTOR ASSEMBLY (RPDA)
- ⑪ — FLG. X FLG. DI 90° ELL (OR FLG. DI TEE; SEE NOTES)
- ⑫ — OPTIONAL SIAMESE FIRE DEPT CONNECTION (SEE NOTES)
- ⑬ — 12 AWG SOLID COPPER DETECTOR WIRE W/TYPE UF INSULATION

NOTES:

1. ONLY BACKFLOW PREVENTION ASSEMBLIES APPROVED BY PID AND THE CALIFORNIA DEPARTMENT OF HEALTH SERVICES DIVISION OF DRINKING WATER AND ENVIRONMENTAL MGMT SHALL BE ACCEPTABLE FOR INSTALLATION ON A PID SERVICE CONNECTION.
2. CONTACT PARADISE FIRE DEPARTMENT (PFD) PRIOR TO INSTALLATION.
3. IF WATER MAIN CONNECTION POINT IS LOCATED IN A PUBLIC R.O.W. THE OPTIONAL VALVE ASSEMBLY ④ IS REQUIRED AT EDGE OF R.O.W.
4. WITH PFD APPROVAL THE OPTIONAL TEE AND FIRE DEPT CONNECTION (FDC) CAN BE SUBSTITUTED FOR A SEPARATE FDC AND POST INDICATOR VALVE.
5. PROPERTY OWNER IS RESPONSIBLE FOR PROVIDING FREEZE PROTECTION FOR BACKFLOW PREVENTION ASSEMBLY AND APPURTENANCES. FREEZE PROTECTION PROVISIONS MUST NOT INTERFERE WITH DEVICE ACCESS FOR ANNUAL DEVICE TESTING OR OPERATION OF VALVES.
6. ASSEMBLIES MUST BE INSPECTED BY PID AND PARADISE FIRE DEPARTMENT.



PARADISE IRRIGATION DISTRICT
STANDARD DRAWING

BACKFLOW PROTECTION – FIRE SYSTEMS

PID-08
SHEET 1 OF 1

DRAWN NE CHECKED JP
DATE
DECEMBER 2009
NO SCALE